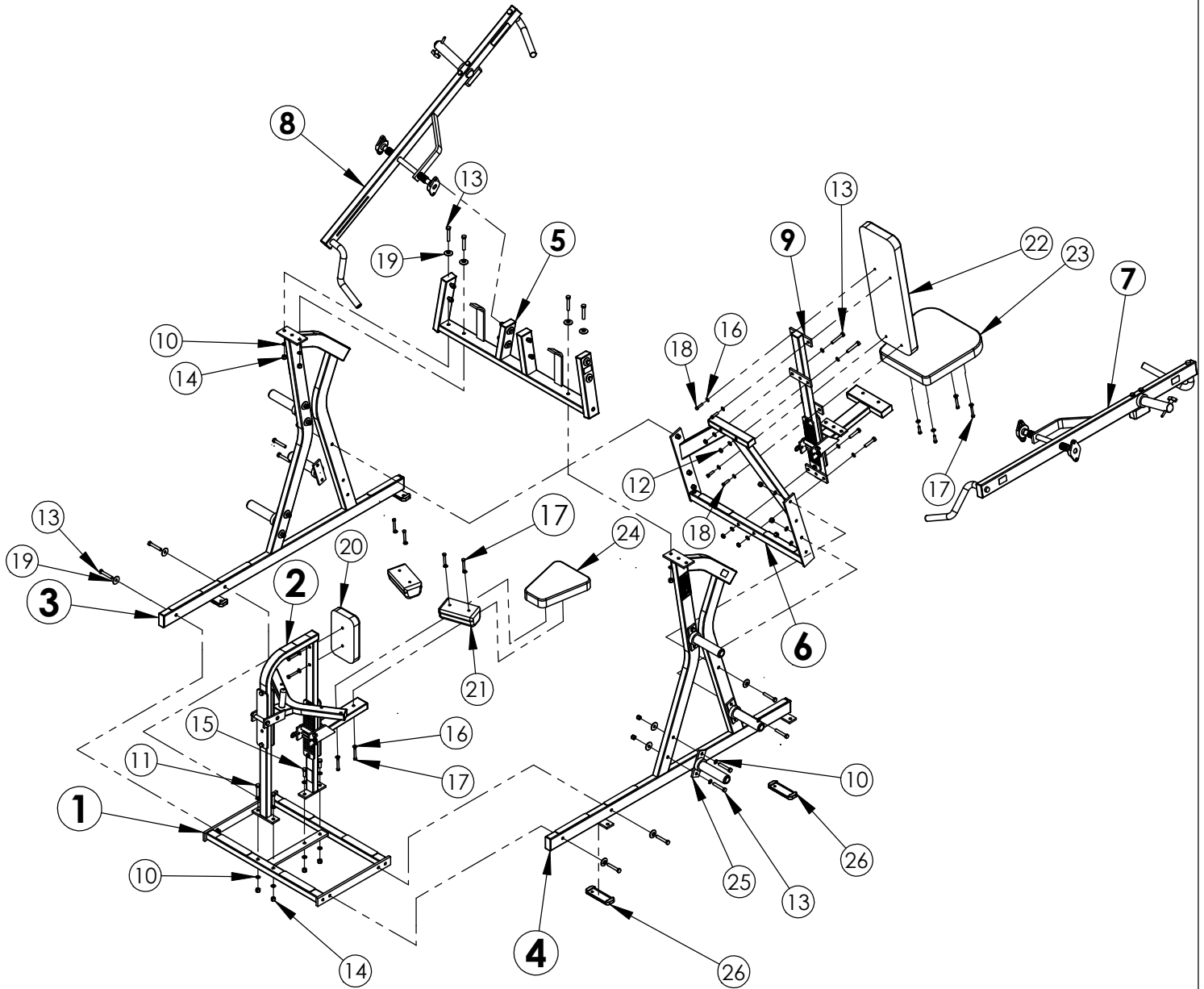


WEIGHT = 410.8 lb  
LENGTH = 72"  
WIDTH = 52"  
HEIGHT = 82"

# HAMMER STRENGTH EQUIPMENT

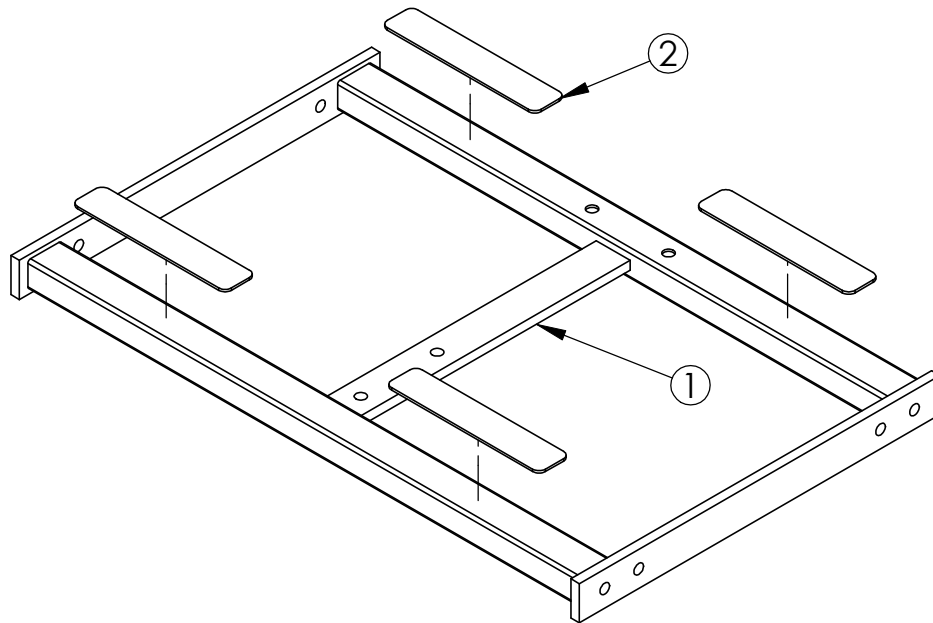
## ILCB Exploded



ITEM NO.	QTY.	PART NO.	DESCRIPTION
1	1	ILCB-CBX-0	ASSY, ILCB, BOTTOM FRAME
2	1	ILCB-CST-0	ASSY, ILCB, BACK SEAT
3	1	ILCB-CSFR-1	ASSY, ILCB, RIGHT SIDE FRAME
4	1	ILCB-CSFL-1	ASSY, ILCB, LEFT SIDE FRAME
5	1	ILCB-CTX-1	ASSY, ILCB, MARM WORKBOX
6	1	ILCB-CFX-0	ASSY, ILCB, FRONT FRAME
7	1	ILCB-CMAL-2	ASSY, ILCB, LEFT MARM
8	1	ILCB-CMAR-2	ASSY, ILCB, RIGHT MARM
9	1	ILCB-CST2-0	ASSY, ILCB, CHEST SEAT
10	42	WASH.5STAR	1/2" INTERNAL LOCK WASHER
11	4	HBB.5X2.5	1/2 X 2 1/2 BOLT
12	4	NUT.5JAMLOCK	1/2 THIN LOCK NUT
13	24	HBB.5X3	1/2 X 3 BOLT
14	26	NUT.5LOCK	1/2 DIA THICK LOCK NUT
15	2	HBB.5X1.5	BOLT, HEX HEAD 1/2 X 1-1/2
16	16	WASH.375SAE	3/8" SAE FLAT WASHER
17	10	HBB.375X2.5	STEEL BOLT 3/8 X 2.5
18	6	HBB.375X1.5	STEEL BOLT 3/8 X 1.5
19	18	H-BACK-WASH	BACKING WASHER
20	1	U-10-4.5S-WC	PAD, 10-4.5
21	2	U-4W	Knee Pad
22	1	U-33-19	BACK PAD
23	1	U-16-11	16X11 PAD
24	1	U-12-5	SEAT PAD
25	6	H-HORN-ASSY	ASSY, WEIGHT HORN
26	4	MM-8	2 X 6 FLANGE RUBBER SLIPPER



**HAMMER STRENGTH EQUIPMENT**  
**ILCB-CBX-0: ASSY, ILCB, BOTTOM FRAME**

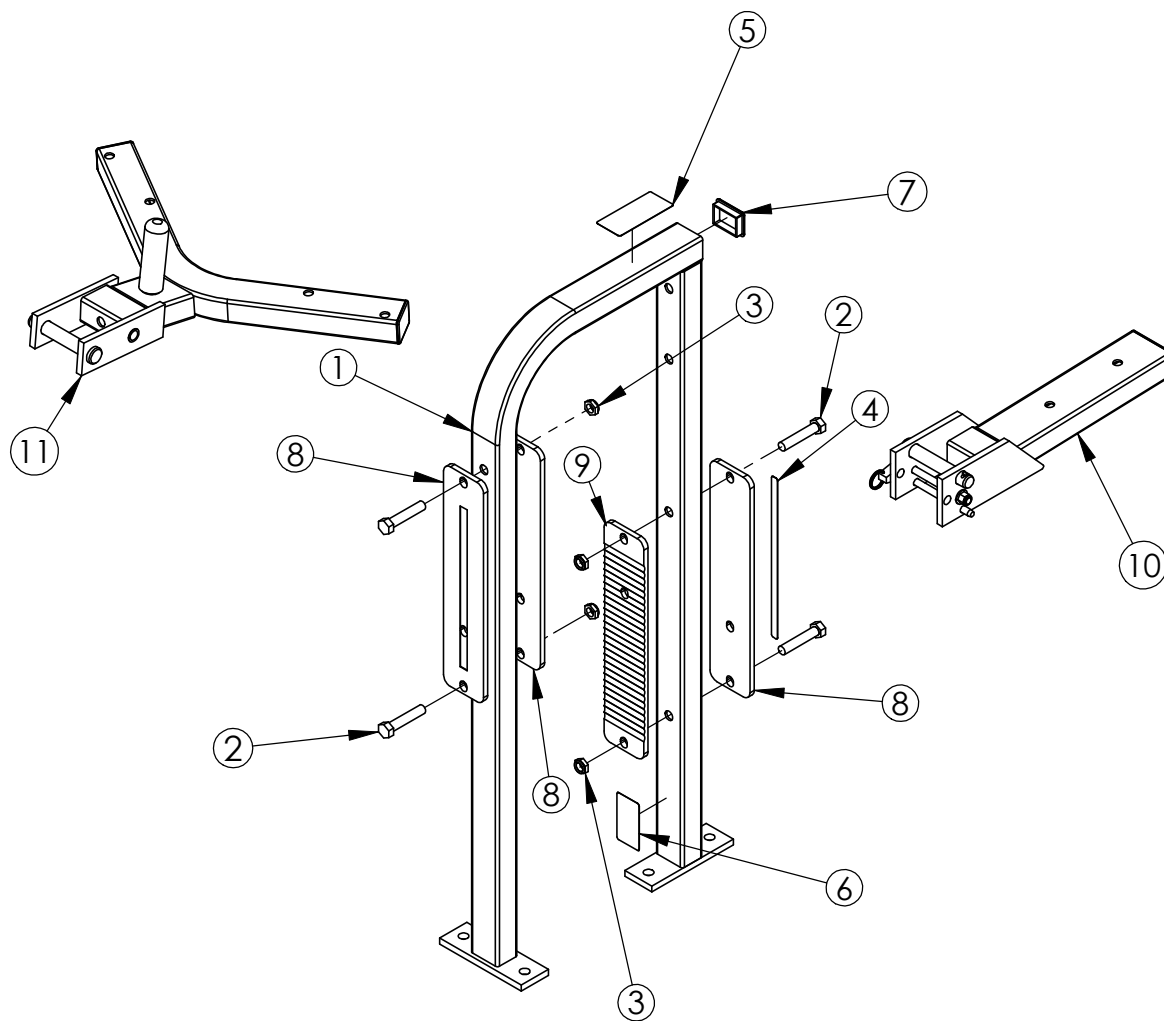


ITEM NO.	QTY.	PART NO.	DESCRIPTION
1	1	ILCB-BX-0	WLDMT, ILCB, Bottom Frame
2	4	H-NONSKID 2X9	PLASTIC NON SKID STRIP 2 X 9

WEIGHT = 6 lb  
 LENGTH = 33 1/2"  
 WIDTH = 21 1/4"  
 HEIGHT = 2"

# HAMMER STRENGTH EQUIPMENT

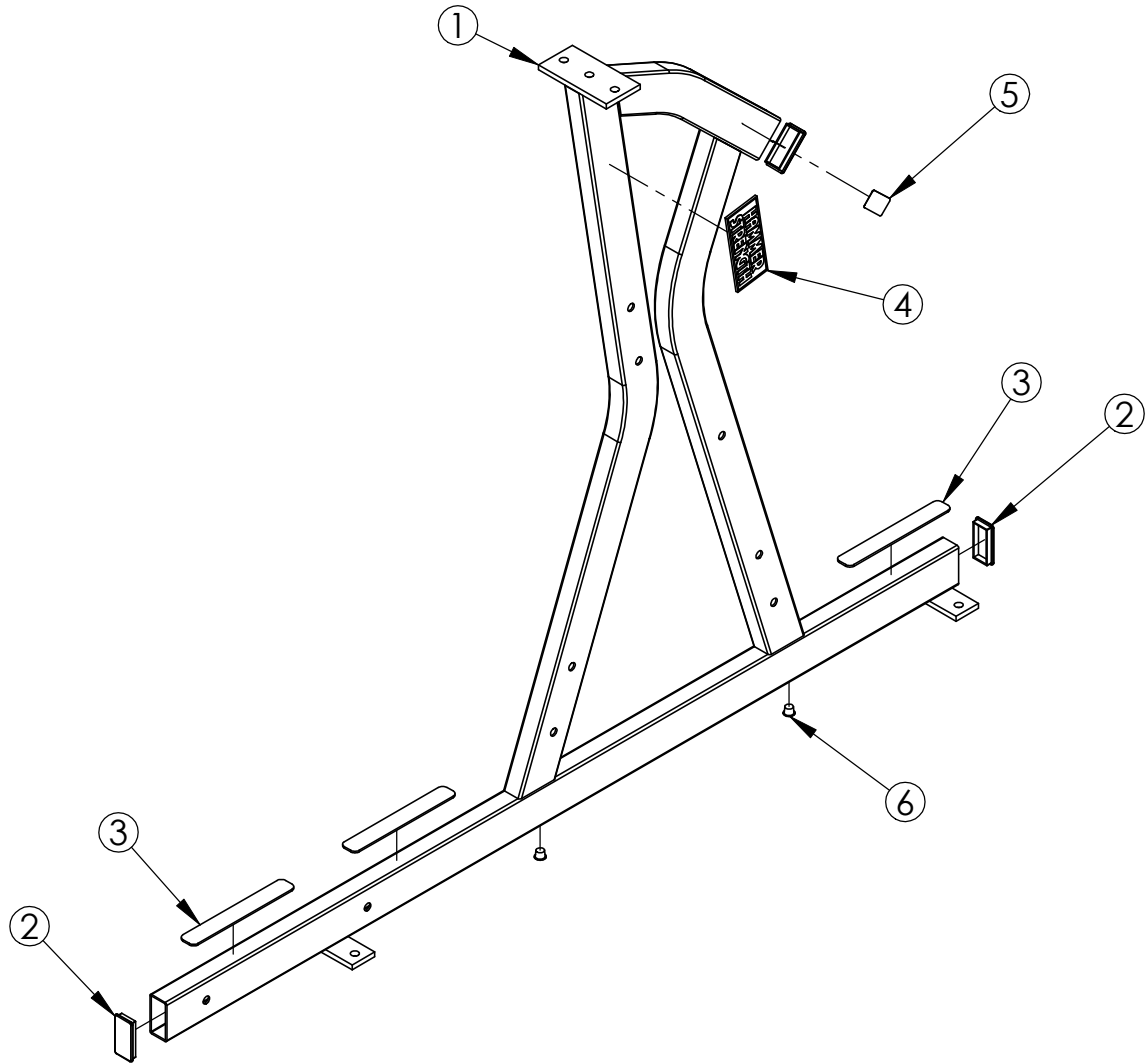
## ILCB-CST-0: ASSY, ILCB, BACK SEAT



ITEM NO.	QTY.	PART NO.	DESCRIPTION
1	1	ILCB-ST-0	WLDMT, ILCB, SEAT FRAME
2	4	HHB.5X2.5	1/2 X 2 1/2 BOLT
3	4	NUT.5JAMLOCK	1/2 THIN LOCK NUT
4	2	SEAT NUMBER	SEAT ADJ. NUMBER
5	1	8773701	SMALL WARNING HOR.
6	1	SERIAL NUMBER	SERIAL NUMBER
7	1	RC1520-1Q1	CAP:1-1/2 X 2 RECTANGLE PLUG
8	3	H-SEATRCKS-N	PLASTIC SEAT GUIDES(PP229)NEW)
9	1	H-SEATRCKS-RIB	SEATRACK BACK
10	1	CSTD-ST-1	ASSY, STD-ST
11	1	CST4-C01	ASSY, STD SEAT 4

WEIGHT = 46 lb  
 LENGTH = 32 1/2"  
 WIDTH = 22 1/4"  
 HEIGHT = 40"

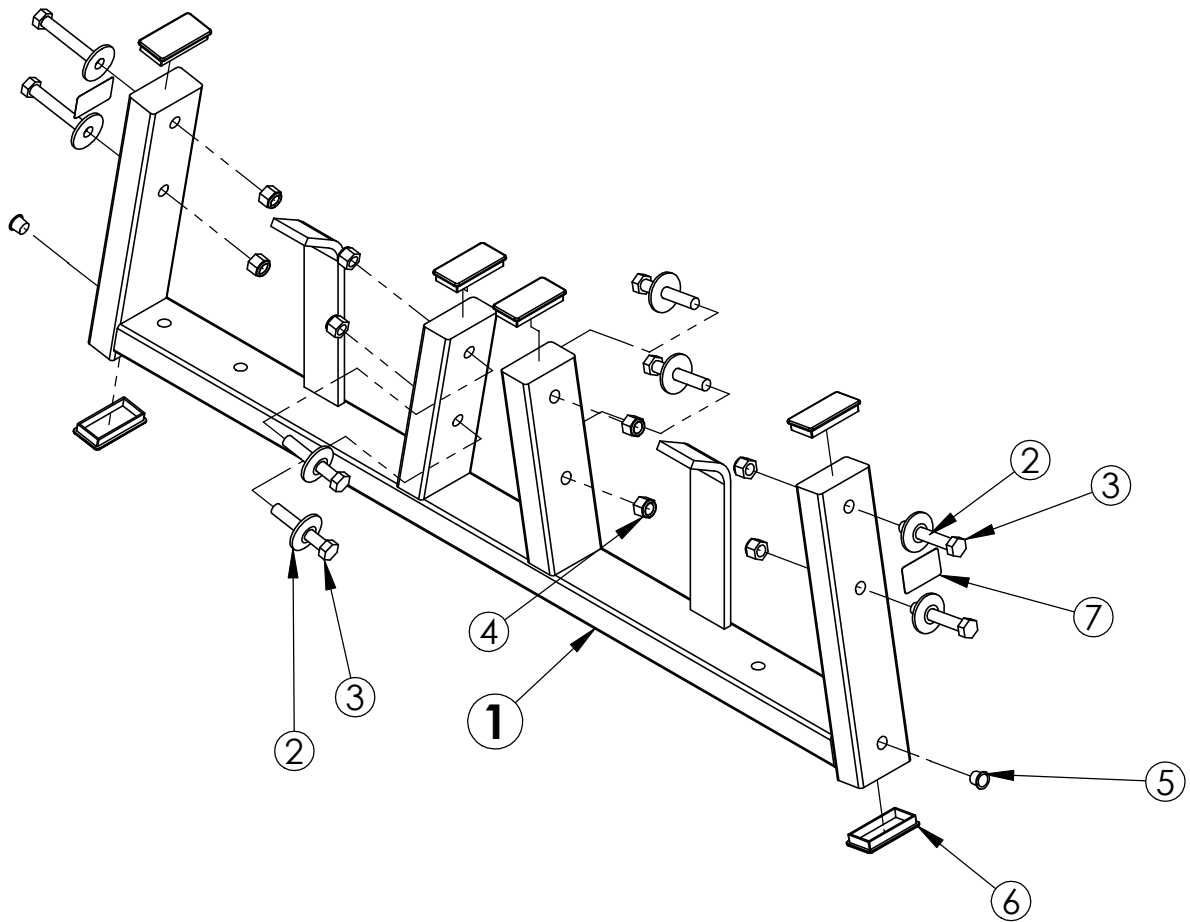
**HAMMER STRENGTH EQUIPMENT**  
**ILCB-CSFL-1: ASSY, ILCB, LEFT SIDE FRAME**



ITEM NO.	QTY.	PART NO.	DESCRIPTION
1	1	ILCB-SF-0	WLDMT, ILCB, SIDE FRAME
2	3	RC1530-1Q1	CAP:1-1/2 X 3 RECTANGLE PLUG
3	3	NONSKID 1 X 9	PLASTIC NON SKID STRIP 1 X 9
4	1	H-NAME PLATE	NAMEPLATE (45156-P)
5	1	STAY CLEAR	STAY CLEAR DECAL
6	2	H-HPLUG (REG)	9/16IN HOLE PLUG

WEIGHT = 58 lb  
 LENGTH = 70 1/4"  
 WIDTH = 6"  
 HEIGHT = 55"

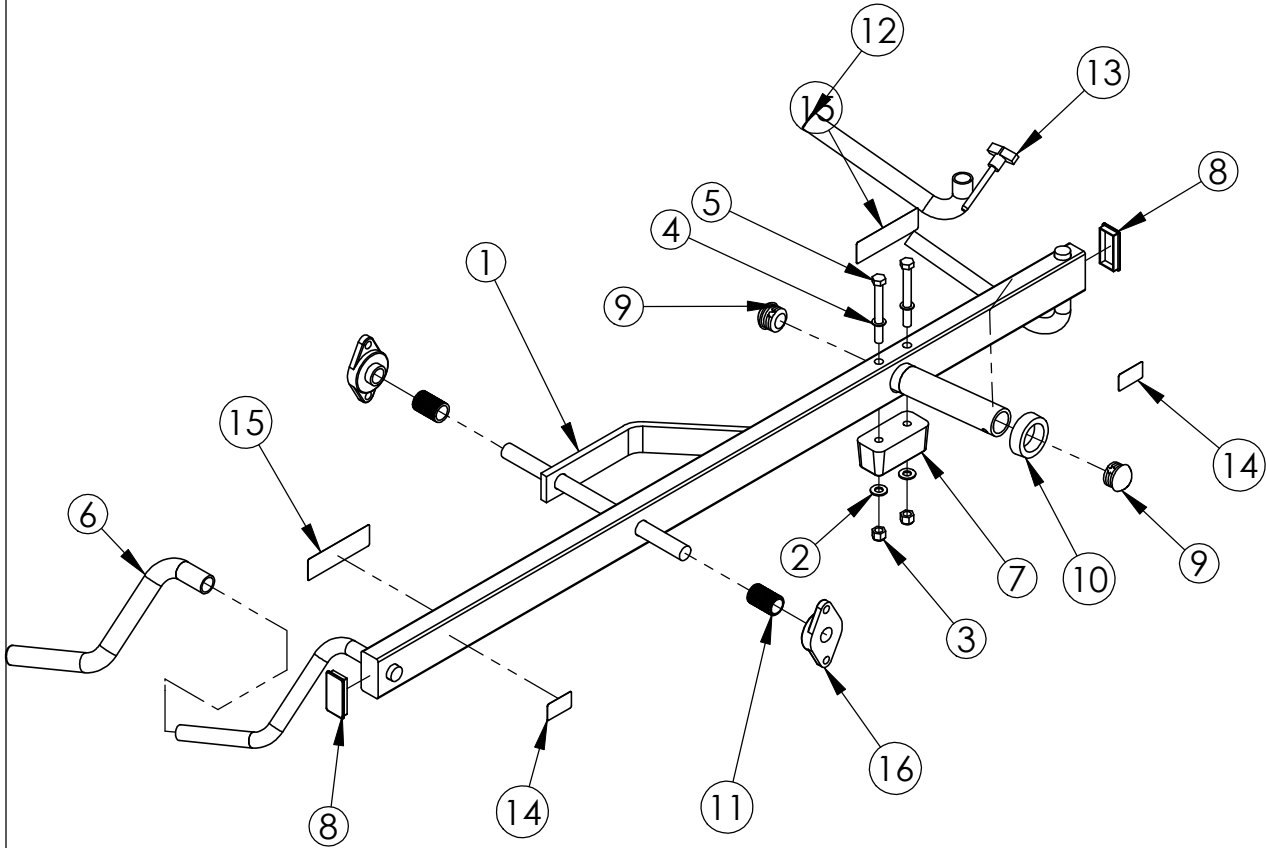
**HAMMER STRENGTH EQUIPMENT**  
**ILCB-CTX-1: ASSY, ILCB, MARM WORKBOX**



ITEM NO.	QTY.	PART NO.	DESCRIPTION
1	1	ILCB-TX-0	WLDMT, ILCB, TOP FRAME
2	8	H-BACK-WASH	BACKING WASHER
3	8	HHB.5X3	1/2 X 3 BOLT
4	8	NUT.5LOCK	1/2 DIA THICK LOCK NUT
5	2	H-HPLUG (REG)	9/16IN HOLE PLUG
6	6	RC1530-1Q1	CAP:1-1/2 X 3 RECTANGLE PLUG
7	2	STAY CLEAR	STAY CLEAR DECAL

WEIGHT = 34 lb  
 LENGTH = 45 3/4"  
 WIDTH = 3"  
 HEIGHT = 14 1/4"

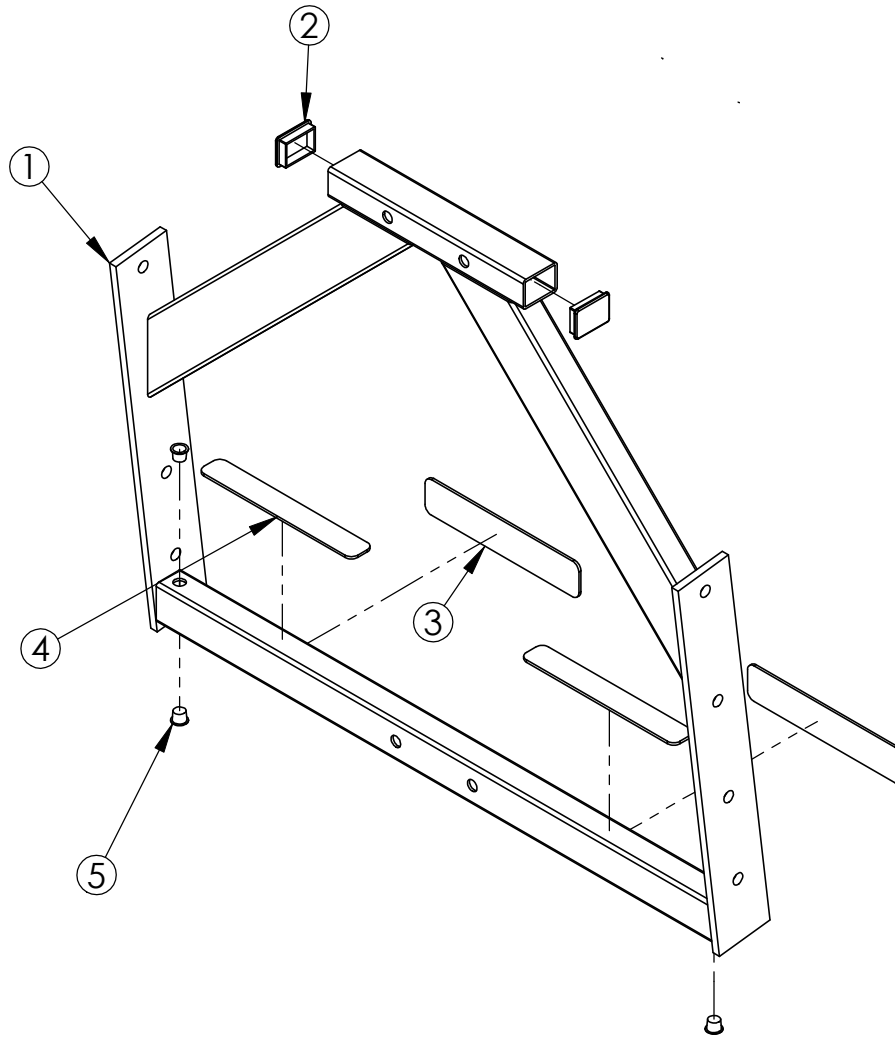
**HAMMER STRENGTH EQUIPMENT**  
**ILCB-CMAL-2: ASSY, ILCB, LEFT MARM**



ITEM NO.	QTY.	PART NO.	DESCRIPTION
1	1	ILCB-MAL-1	WLDMT, ILCB, LEFT MOVEMENT ARM
2	2	WASH.5SAE	1/2" SAE FLAT WASHER
3	2	NUT.5LOCK	1/2 DIA THICK LOCK NUT
4	2	WASH.5STAR	1/2" INTERNAL LOCK WASHER
5	2	HHB.5X4.5	1/2 X 4 1/2 BOLT
6	1	H-GRIP	ILCB Handlebar 2
7	1	H-BUMP-MED	MM2 MEDIUM
8	2	RC1530-1Q1	CAP:1-1/2 X 3 RECTANGLE PLUG
9	2	RUBCAP1	RUBBER MOVEMENT ARM CAP
10	1	H-RUBRNG	MM5 RING
11	2	ACCORDIAN	SHAFT GUARD
12	1	H-GRIP	HANDLE GRIPS (.938X16)
13	1	SELECTOR PIN-3	SELECTOR PIN 3 IN.
14	2	STAY CLEAR	STAY CLEAR DECAL
15	2	IDCB	PRODUCT DECAL
16	2	H-BEAR-SML	SMALL BEARING

WEIGHT = 40.5 LB  
 LENGTH = 68 1/4"  
 WIDTH = 21"  
 HEIGHT = 10"

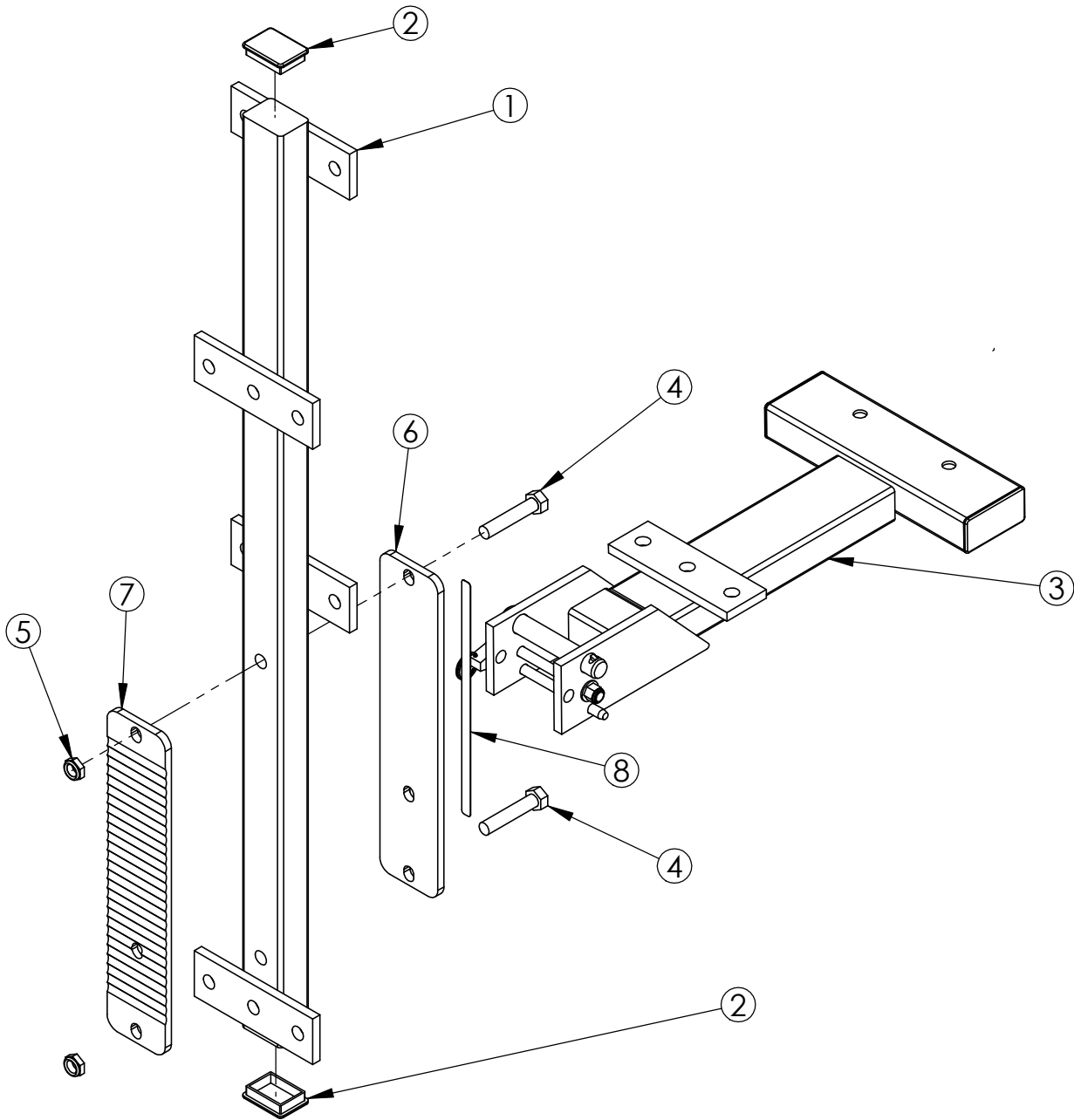
**HAMMER STRENGTH EQUIPMENT**  
**ILCB-CFX-0: ASSY, ILCB, FRONT FRAME**



ITEM NO.	QTY.	PART NO.	DESCRIPTION
1	1	ILCB-FX-0	WLDMT, ILCB, FRONT FRAME
2	2	RC1520-1Q1	CAP:1-1/2 X 2 RECTANGLE PLUG
3	2	H-NONSKID 2X9	PLASTIC NON SKID STRIP 2 X 9
4	2	NONSKID 1 X 9	PLASTIC NON SKID STRIP 1 X 9
5	4	H-HPLUG (REG)	9/16IN HOLE PLUG

WEIGHT = 34 lb  
 LENGTH = 33 1/2"  
 WIDTH = 5"  
 HEIGHT = 30"

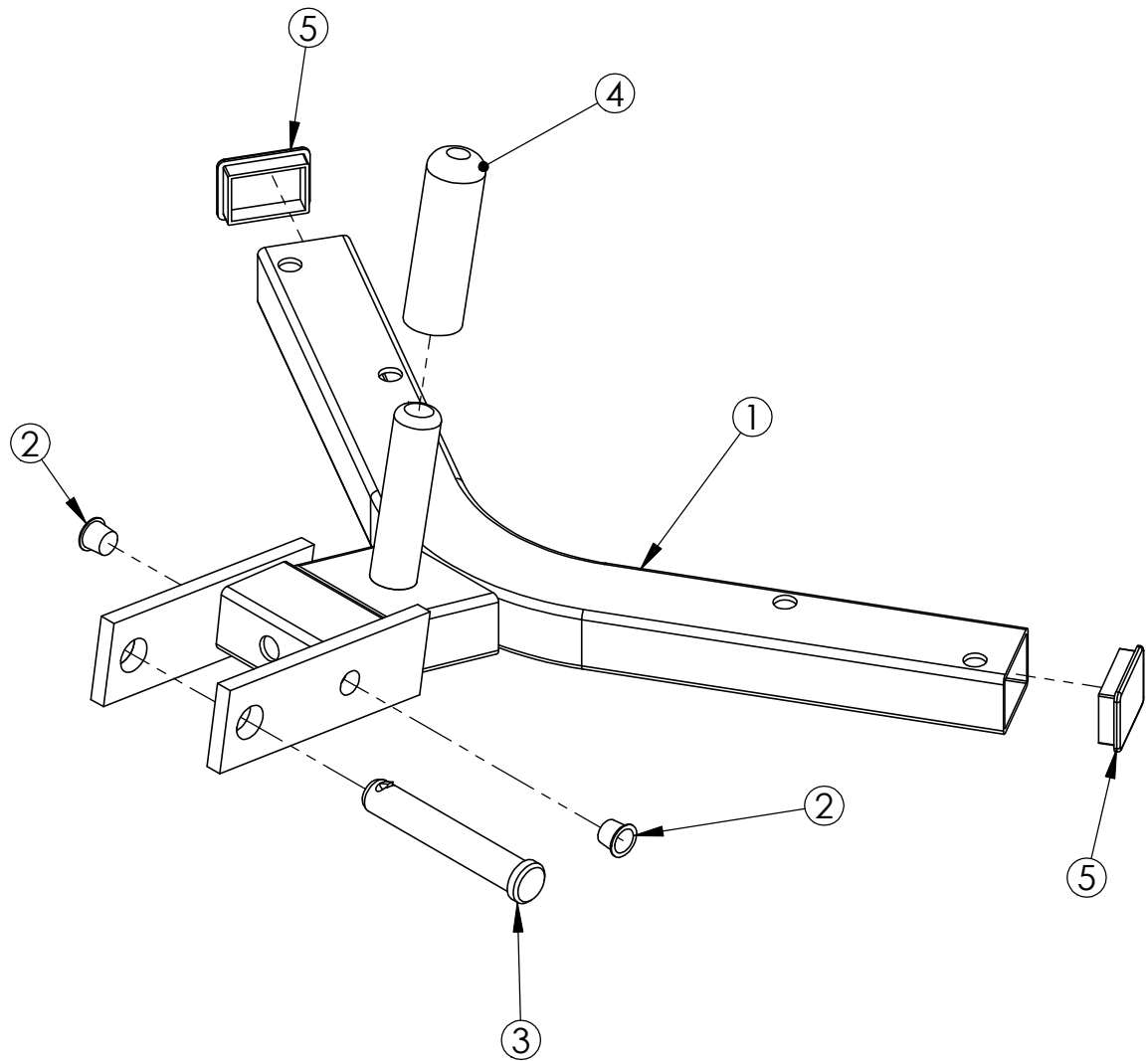
**HAMMER STRENGTH EQUIPMENT  
ILCB-CST2-0, ASSY, ILCB, CHEST SEAT**



ITEM NO.	QTY.	PART NO.	DESCRIPTION
1	1	ILCB-ST2-0	WLDMT, ILCB, CHEST SEAT
2	2	RC1520-1Q1	CAP:1-1/2 X 2 RECTANGLE PLUG
3	1	CSTD-ST2-1	ASSY, STANDARD SEAT 2
4	2	HHB.5X2.5	1/2 X 2 1/2 BOLT
5	2	NUT.5JAMLOCK	1/2 THIN LOCK NUT
6	1	H-SEATRCKS-N	PLASTIC SEAT GUIDES(PP229)NEW)
7	1	H-SEATRCKS-RIB	SEATRACK BACK
8	1	SEAT NUMBER	SEAT ADJ. NUMBER

WEIGHT = 30 LB  
LENGTH = 20 1/2"  
WIDTH = 10 1/4"  
HEIGHT = 40 1/4"

**HAMMER STRENGTH EQUIPMENT**  
**CST4-C01: ASSY, STD SEAT 4**

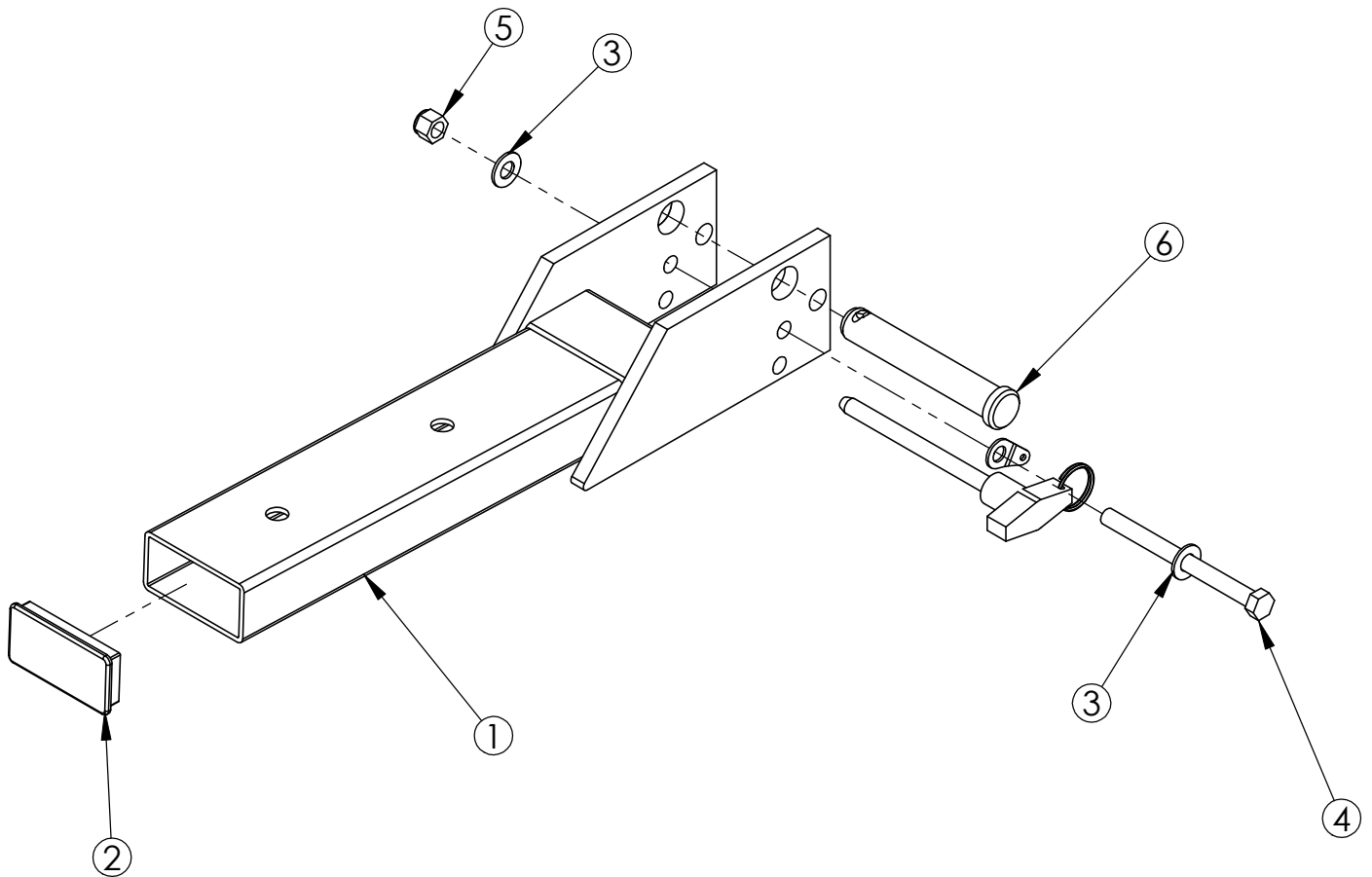


ITEM NO.	QTY.	PART NO.	DESCRIPTION
1	1	ST4-C01	STD. SEAT #4
2	2	H-HPLUG (REG)	9/16IN HOLE PLUG
3	1	STD SEAT PIN	LONG SEAT PIN (HDADJ)
4	1	H-GRIP	HANDLE GRIPS (.938X16)
5	2	RC1520-1Q1	CAP:1-1/2 X 2 RECTANGLE PLUG

WEIGHT = 11 lb  
 LENGTH = 16"  
 WIDTH = 22 1/4"  
 HEIGHT = 6"



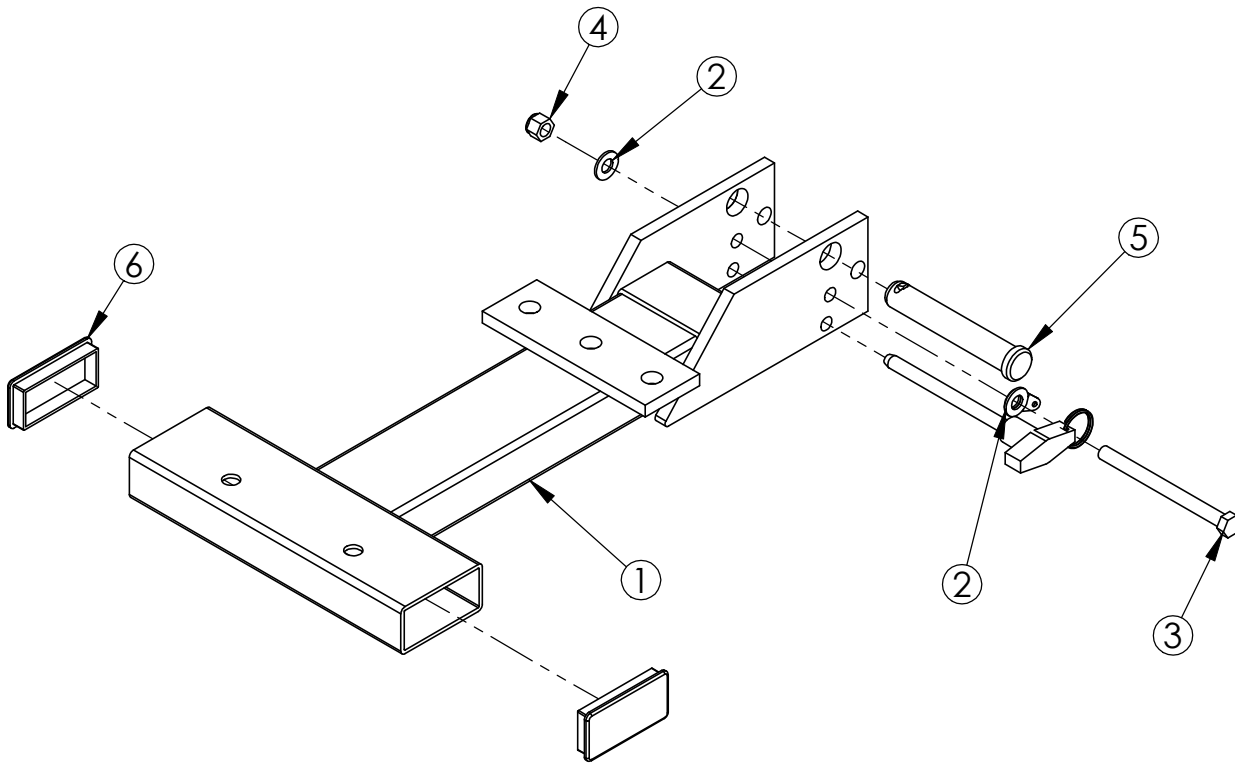
**HAMMER STRENGTH EQUIPMENT**  
**CSTD-ST-1: ASSY, STD ST**



ITEM NO.	QTY.	PART NO.	DESCRIPTION
1	1	STD-ST	Standard Seat #1
2	1	RC1530-1Q1	CAP:1-1/2 X 3 RECTANGLE PLUG
3	2	WASH.375SAE	3/8" SAE FLAT WASHER
4	1	HHB.375X4.5	STEEL BOLT 3/8 X 4.5
5	1	NUT.375LOCK	3/8 THICK LOCK NUT
6	1	STD SEAT PIN	LONG SEAT PIN (HDADJ)
7	1	SELECTPIN	ASSY, STD SEAT SELECTOR PIN

WEIGHT = 9 lb  
 LENGTH = 17"  
 WIDTH = 4 3/4"  
 HEIGHT = 3"

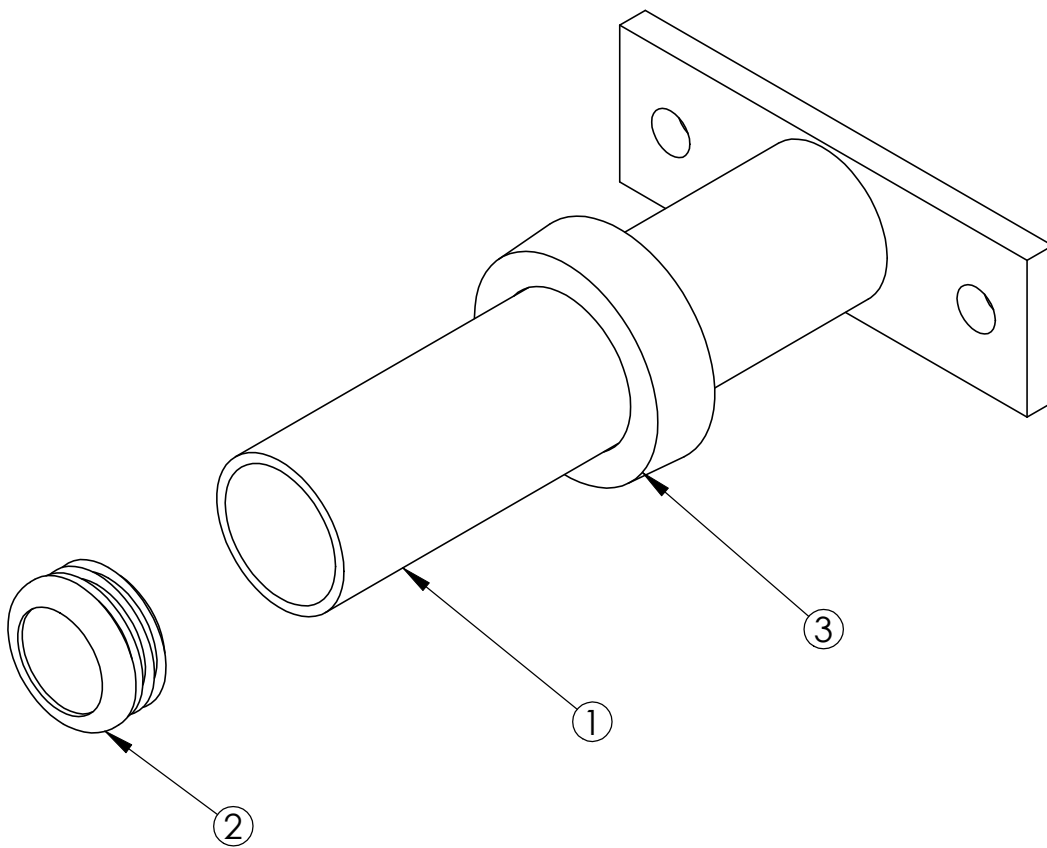
**HAMMER STRENGTH EQUIPMENT**  
**CSTD-ST2-1: ASSY, STANDARD SEAT 2**



ITEM NO.	QTY.	PART NO.	DESCRIPTION
1	1	STD-ST2	Standard Seat #2
2	2	WASH.375SAE	3/8" SAE FLAT WASHER
3	1	HHB.375X4.5	STEEL BOLT 3/8 X 4.5
4	1	NUT.375LOCK	3/8 THICK LOCK NUT
5	1	STD SEAT PIN	LONG SEAT PIN (HDADJ)
6	2	RC1530-1Q1	CAP:1-1/2 X 3 RECTANGLE PLUG
7	1	SELECTPIN	ASSY, STD SEAT SELECTOR PIN

WEIGHT = 13 lb  
 LENGTH = 20 1/2"  
 WIDTH = 10 1/4"  
 HEIGHT = 3"

**HAMMER STRENGTH EQUIPMENT**  
**H-HORN-ASSY: WEIGHT HORN ASSEMBLY**



ITEM NO.	QTY.	PART NO.	DESCRIPTION
1	1	H-HORN	WLDMT, WEIGHT HORN
2	1	8078001	CAP, END 1.75 DIA RD 14-20 GA
3	1	H-RUBRNG	MM5 RING

WEIGHT = 3 1/4 lb  
 LENGTH = 8 5/8"  
 WIDTH = 6"  
 HEIGHT = 3"